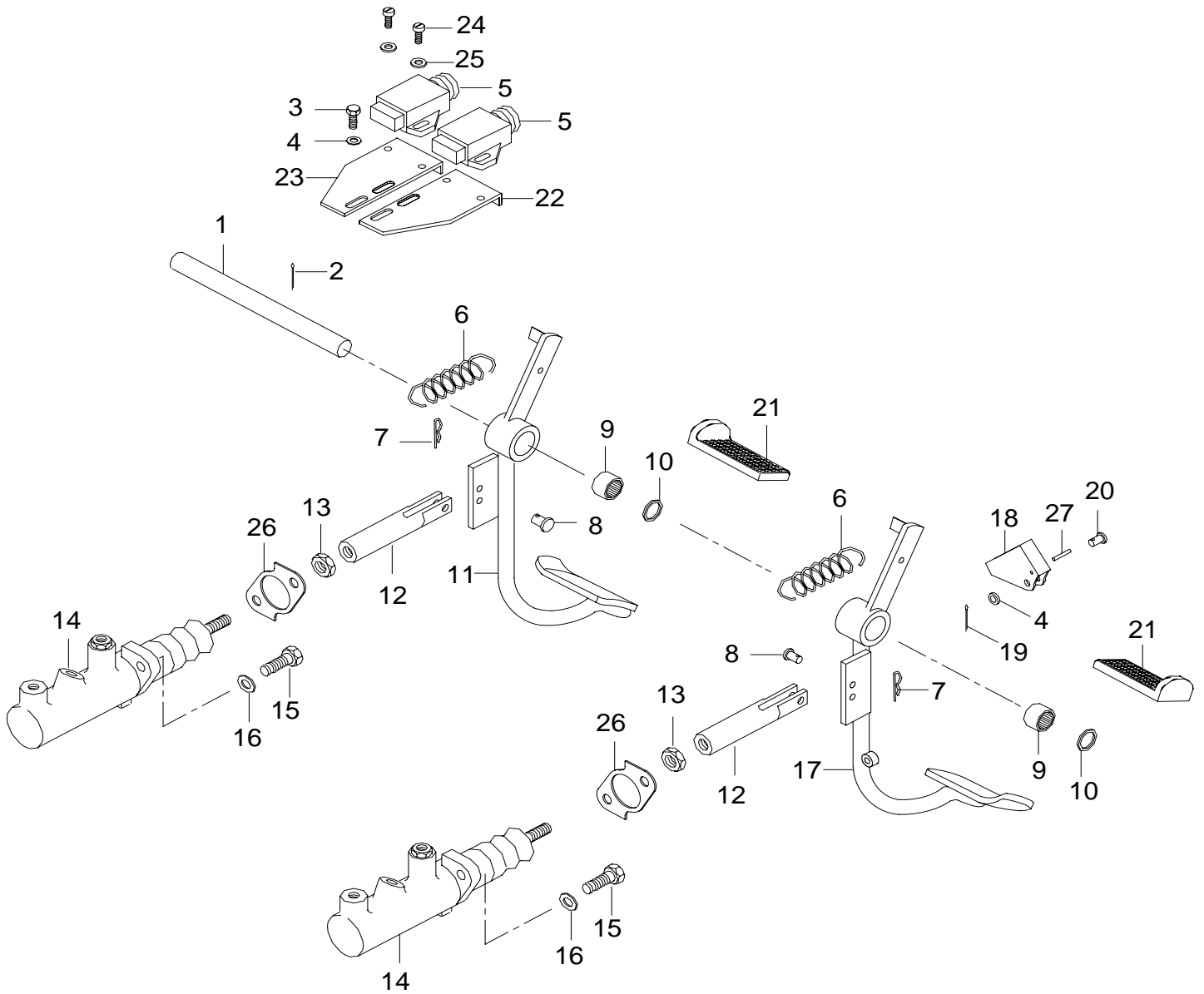
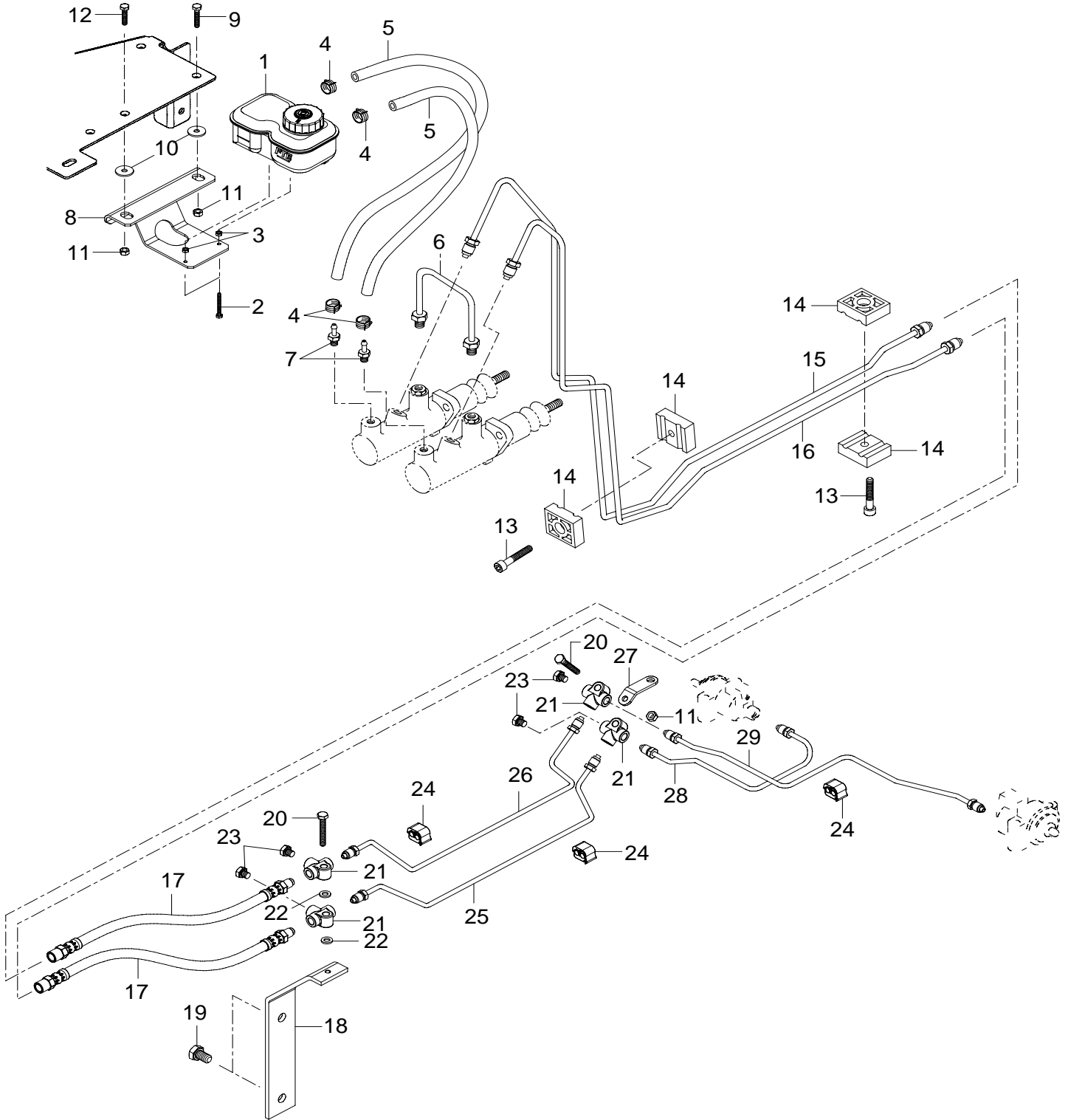
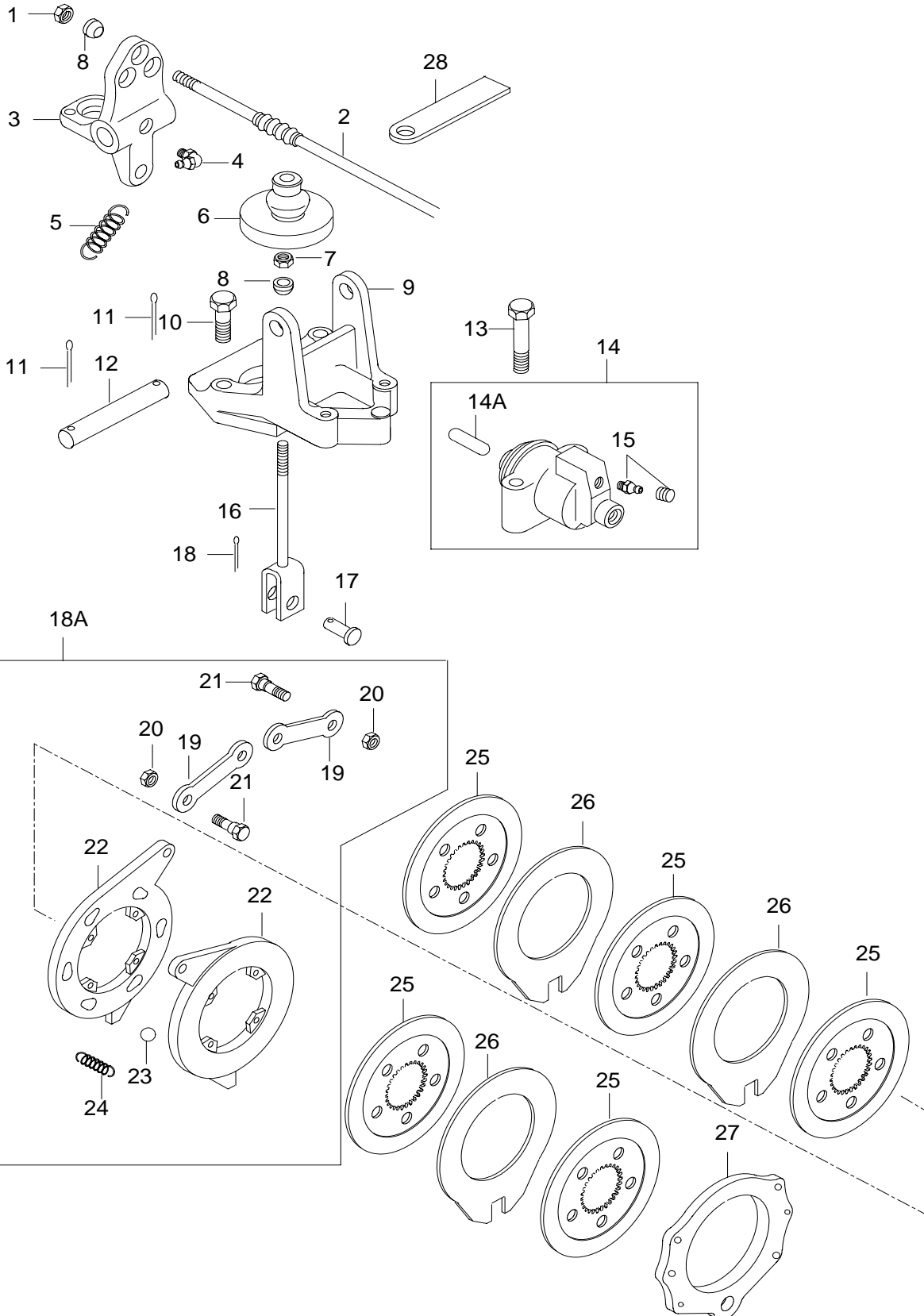


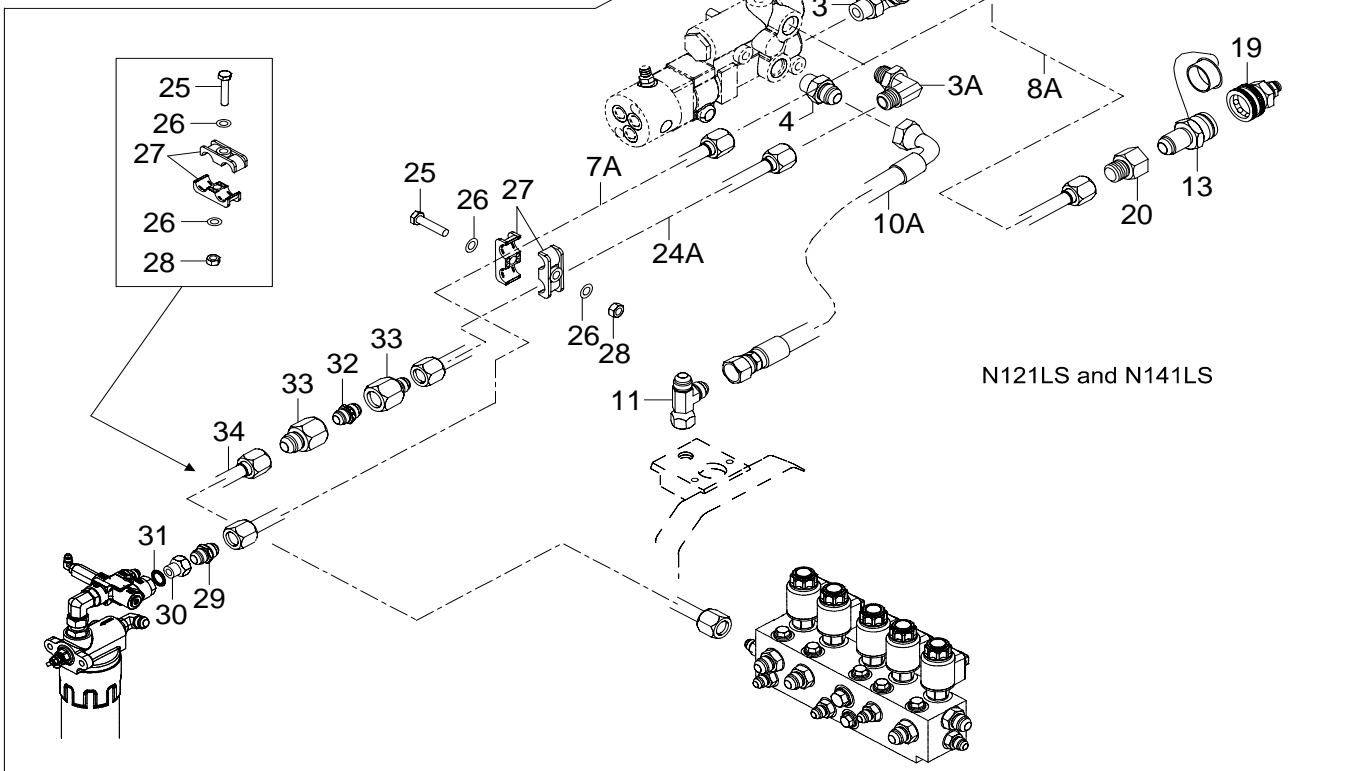
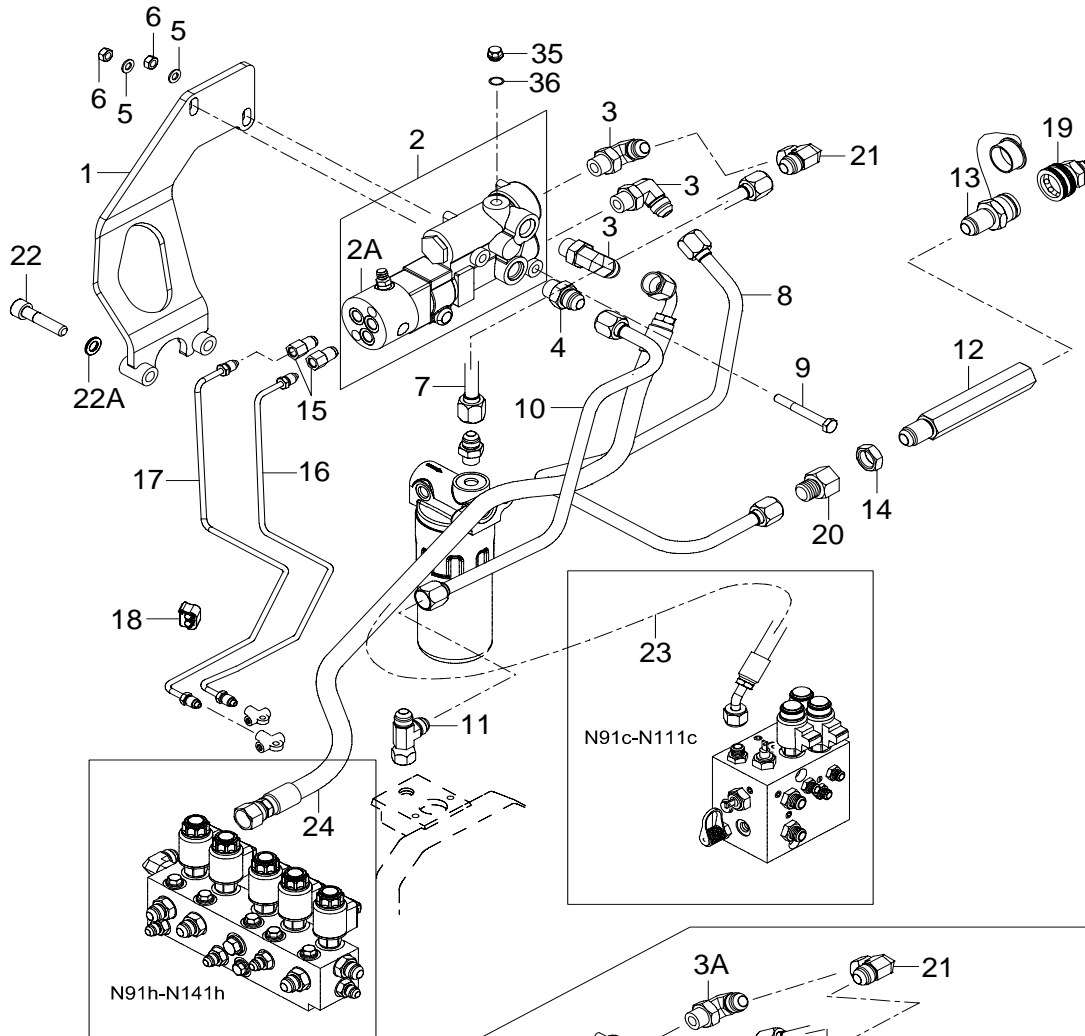
25.5.2007

N91c, N91h, N101c,  
N101h, N111c, N111h,  
N111eh, N121h,  
N121LS, N141h, N141LS









JARRUKIILA  
(LISÄVARUSTE)

BROMSSKIL (EXTRA  
UTRUSTNING)

BRAKE KEY (OPTIONAL  
EQUIPMENT)

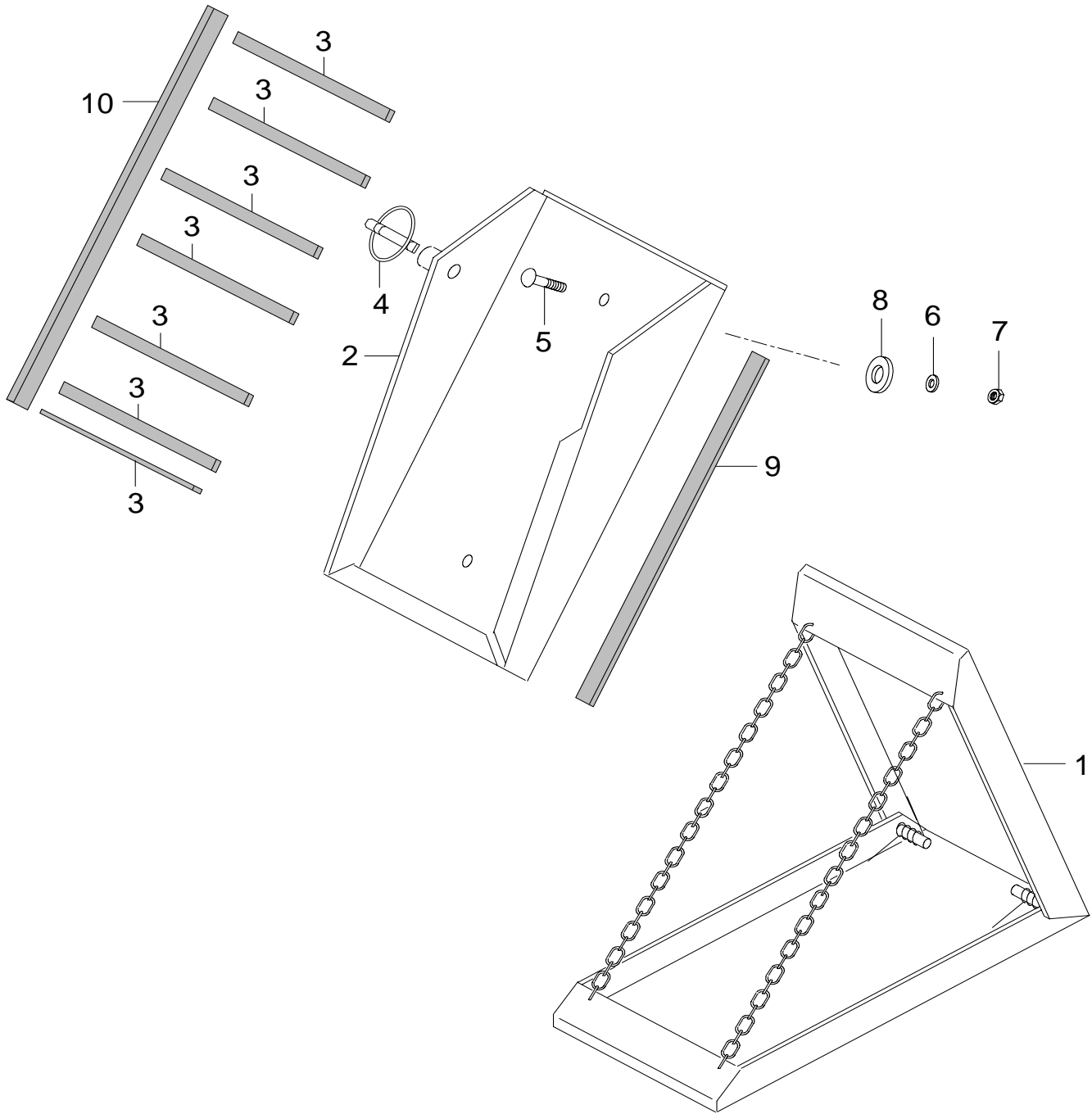
BREMSKEIL  
(EXTRAZUBEHÖR)

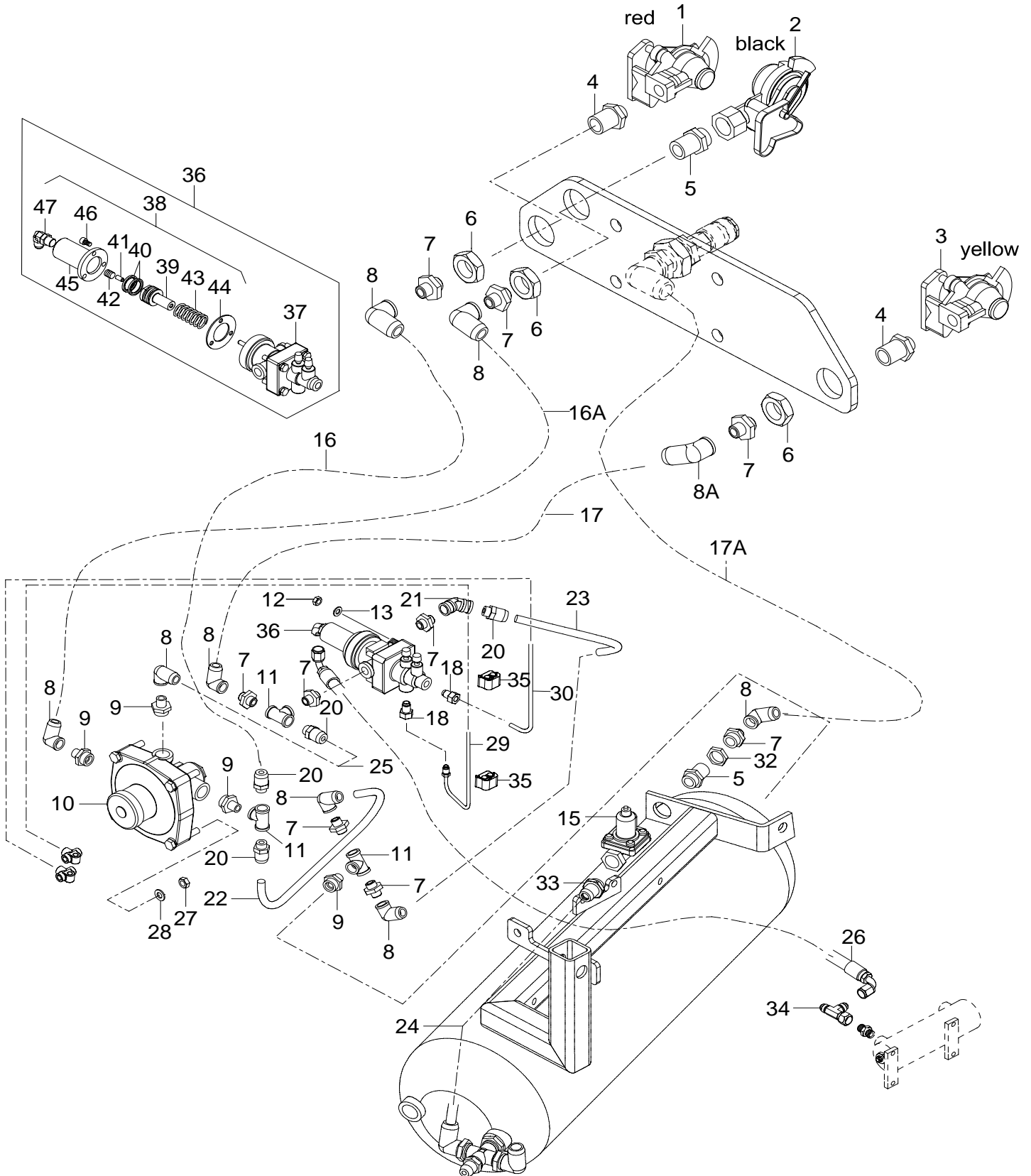
CLE DE FREIN  
(EQUIPEMENT  
OPTIONNEL)

59-03

25.5.2007

N91c, N91h, N101c,  
N101h, N111c, N111h,  
N111eh, N121h,  
N121LS, N141h, N141LS







PAINEILMAJARRUT,  
DUO-MATIC  
(LISÄVARUSTE)

TRYCKLUFTSBROMS,  
DUO-MATIC (EXTRA  
UTRUSTNING)

AIR PRESSURE BRAKE,  
DUO-MATIC (OPTIONAL  
EQUIPMENT)

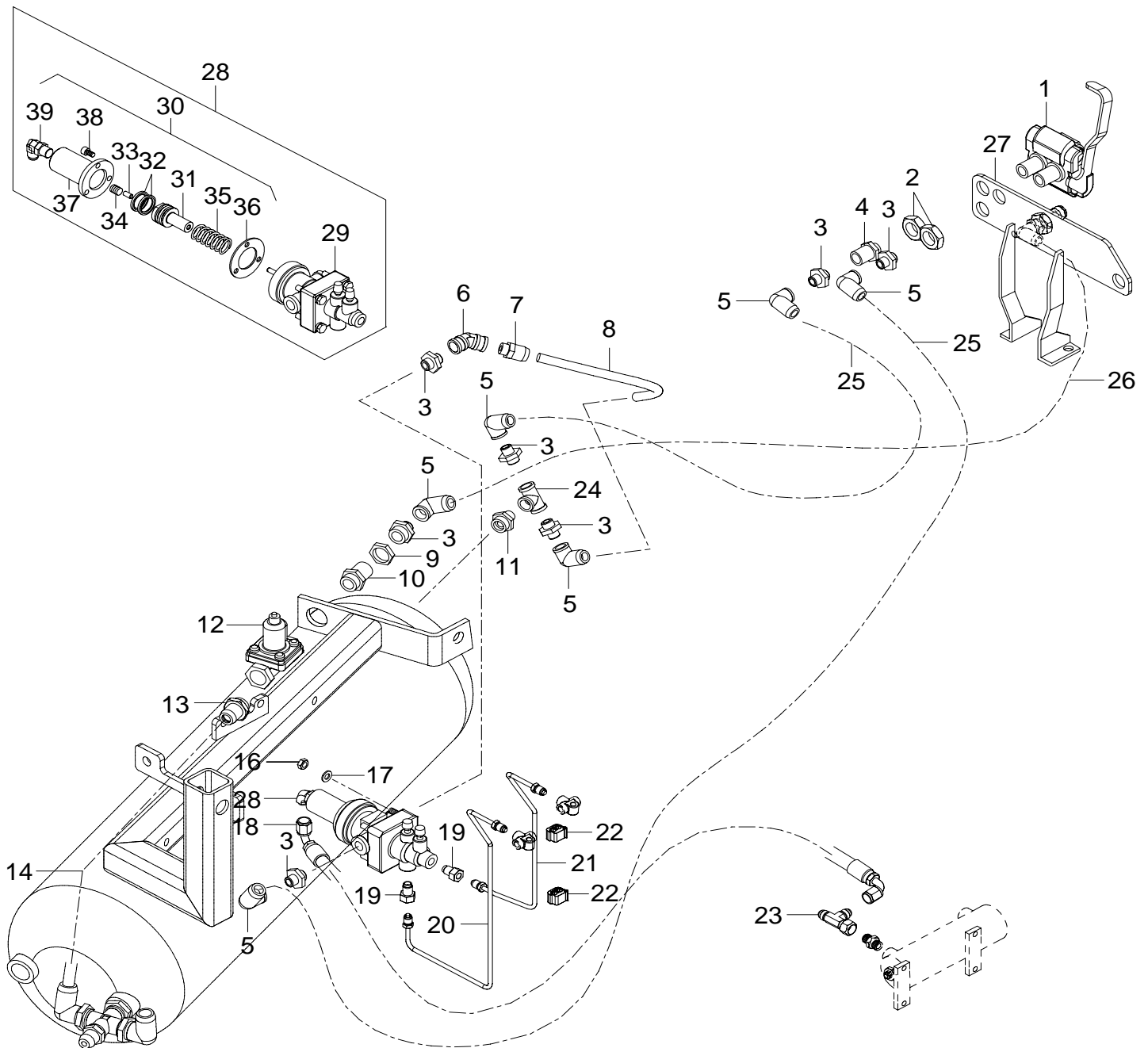
LUFTDRUCK BREMSE,  
DUO-MATIC  
(EXTRAZUBEHÖR)

FREIN A PRESSION  
D'AIR, DUO-MATIC  
(EQUIPEMENT  
OPTIONNEL)

59-07

25.5.2007

N91h, N101h, N111h,  
N111eh, N121h,  
N121LS, N141h, N141LS



HÄTÄJARRU  
(LISÄVARUSTE)

NÖDBROMS (EXTRA  
UTRUSTNING)

EMERGENCY BRAKE  
(OPTIONAL EQUIPMENT)

NOTBREMSE  
(EXTRAZUBEHÖR)

FREIN DE SECOURS  
(EQUIPEMENT  
OPTIONNEL)

59-09

25.5.2007  
N91h, N101h, N111h,  
N111eh, N121h,  
N121LS, N141h, N141LS

18

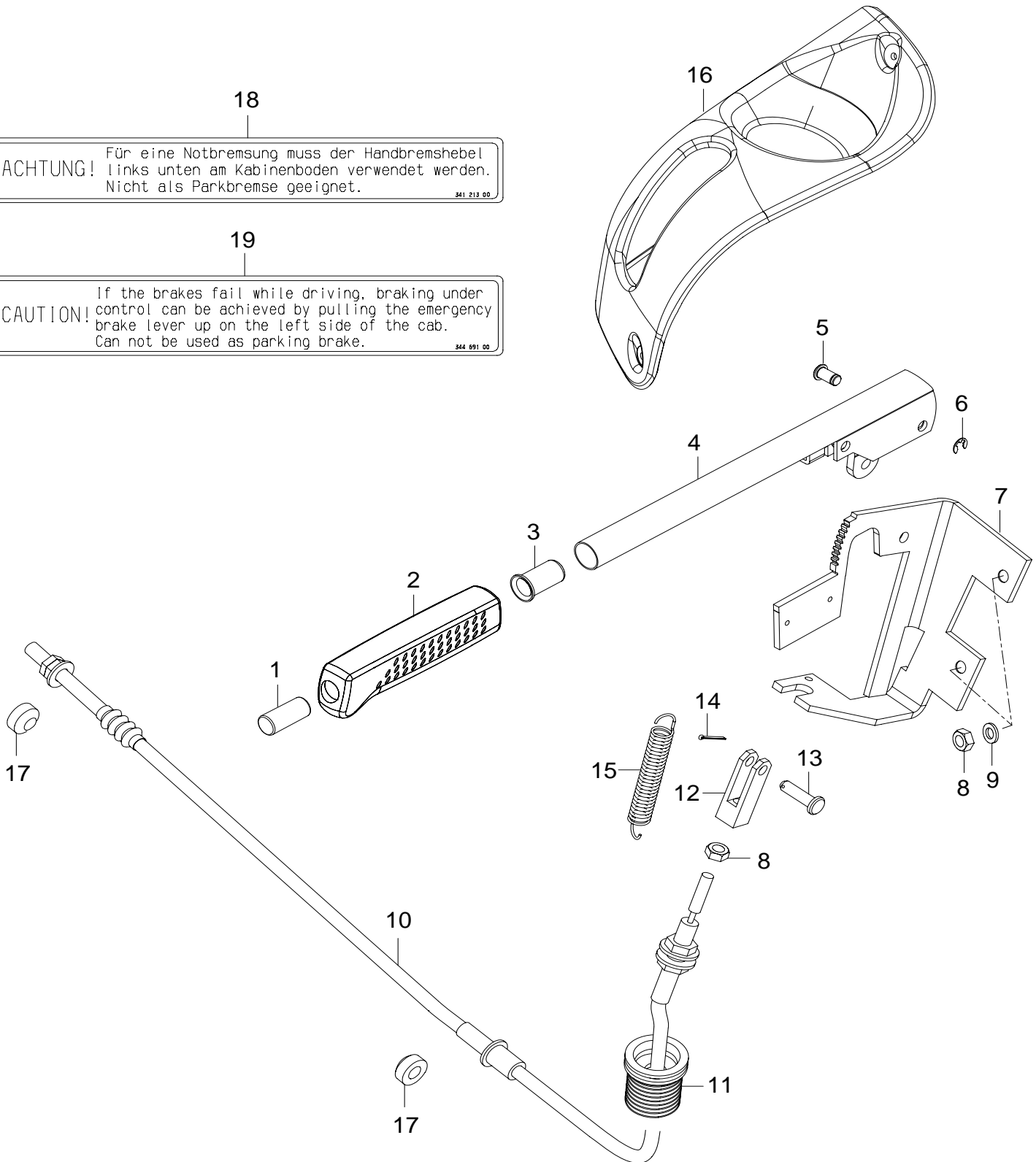
**ACHTUNG!** Für eine Notbremsung muss der Handbremshebel links unten am Kabinenboden verwendet werden. Nicht als Parkbremse geeignet.

344 213 00

19

**CAUTION!** If the brakes fail while driving, braking under control can be achieved by pulling the emergency brake lever up on the left side of the cab. Can not be used as parking brake.

344 691 00



JARRUPOLKIMET  
(LISÄVARUSTE)BROMSPEDALER  
(EXTRA UTRUSTNING)BRAKE PEDALS  
(OPTIONAL EQUIPMENT)BREMSPEDALE  
(EXTRAZUBEHÖR)PÉDALES DE FREIN  
(EQUIPEMENT  
OPTIONNEL)

59-11

25.5.2007  
N121h, N121LS, N141h,  
N141LS

1

